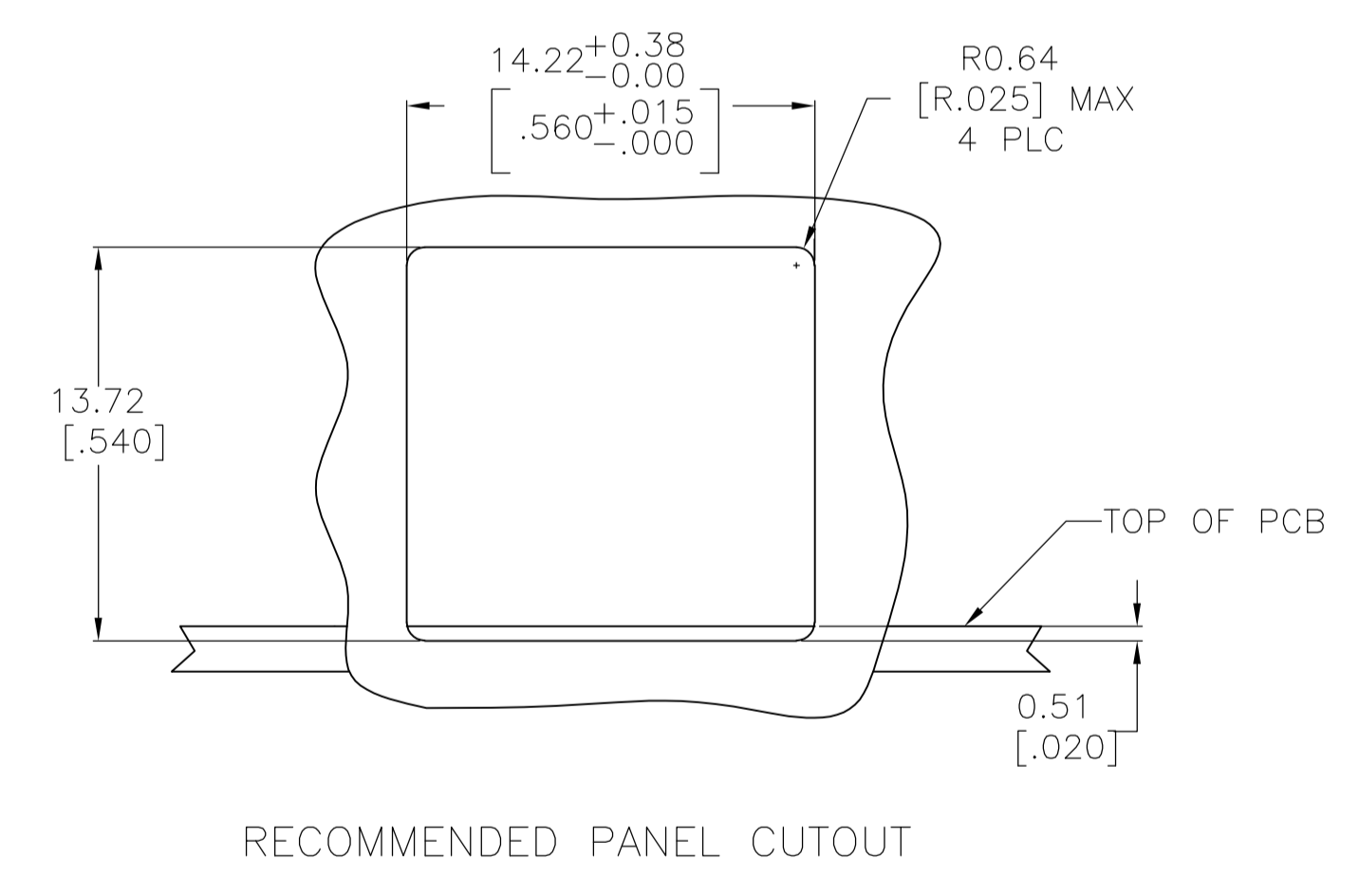
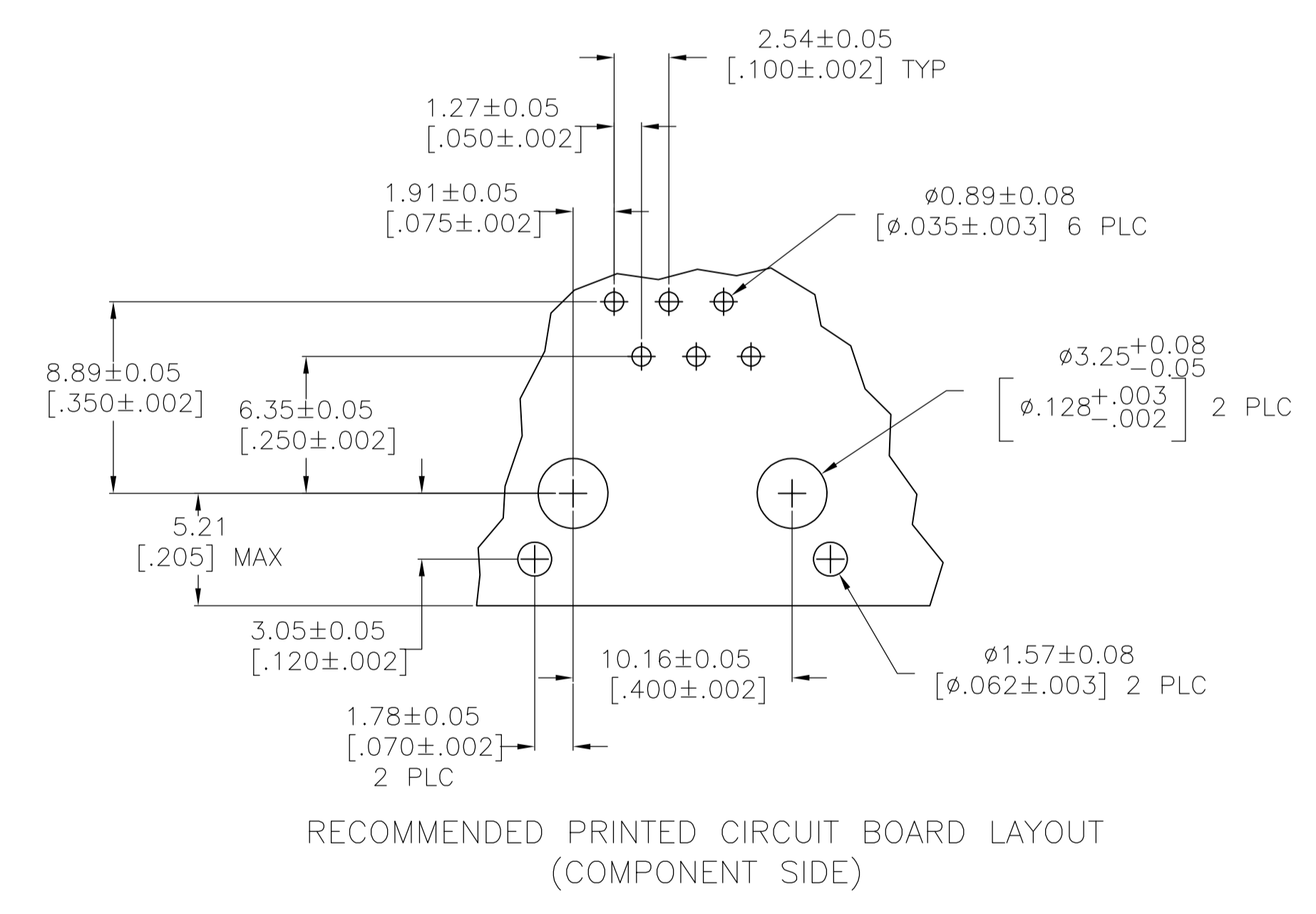


- MATERIAL: HOUSING - HTN NYLON, COLOR: BLACK  
 TERMINAL - 0.36[.014] THICK PHOS-BRONZE PLATED WITH 1.27 $\mu$ m[.000050] MINIMUM THICK HARD GOLD IN LOCALIZED GOLD PLATE AREA AND 3.81 $\mu$ m[.000150] MINIMUM THICK MATTE TIN IN SOLDER AREA OVER 1.27 $\mu$ m[.000050] MINIMUM THICK NICKEL UNDERPLATE.  
 SHIELD - 0.25[.010] THICK COPPER ALLOY, PLATED WITH 3.0 $\mu$ m[.000120] MINIMUM REFLOWED TIN
- $\triangle 2$  JACK CAVITY CONFORMS TO FCC RULES AND REGULATIONS PART 68, SUBPART F.
  - $\triangle 3$  DIMENSION MEASURED ALONG FRONT EDGE OF MATING FACE



|              |             |
|--------------|-------------|
| YES          | 5406435-2   |
| NO           | 5406435-1   |
| PANEL GROUND | PART NUMBER |

|  |  |                                   |  |  |  |
|--|--|-----------------------------------|--|--|--|
| THIS DRAWING IS A CONTROLLED DOCUMENT. |  | DIN J. ALCORTA - DOCK 5 09JUN2005 |  | Tyco Electronics Corporation Harrisburg, PA 17105-3608   |  |
| DIMENSIONS: mm [INCHES]                |  | CIR J. WESTMAN 09JUN2005          |  | NAME S. FLICKINGER 09JUN2005   |  |
| TOLERANCES UNLESS OTHERWISE SPECIFIED: |  | PRODUCT SPEC                      |  | MODULAR JACK ASSEMBLY, SHIELDED, 6 POSITION, LOW PROFILE, RIGHT ANGLE, PRINTED CIRCUIT BOARD GROUND WITH PANEL STOPS |  |
| 0 PLC ± -                              |  | APPLICATION SPEC                  |  | SIZE 108-1163  |  |
| 1 PLC ± -                              |  | WEIGHT                            |  | SCALE 114-2048   |  |
| 2 PLC ± -                              |  | CUSTOMER DRAWING                  |  | SHEET 1 OF 1   |  |
| 3 PLC ± .005                           |  | SCALE 4:1                         |  | REV D  |  |
| 4 PLC ± -                              |  | SCALE 4:1                         |  | REV D  |  |
| ANGLES ± -                             |  | SCALE 4:1                         |  | REV D  |  |
| MATERIAL SEE NOTE 1                    |  | FINISH SEE NOTE 1                 |  | WEIGHT -   |  |
| MATERIAL SEE NOTE 1                    |  | FINISH SEE NOTE 1                 |  | WEIGHT -   |  |
| MATERIAL SEE NOTE 1                    |  | FINISH SEE NOTE 1                 |  | WEIGHT -   |  |
| MATERIAL SEE NOTE 1                    |  | FINISH SEE NOTE 1                 |  | WEIGHT -   |  |